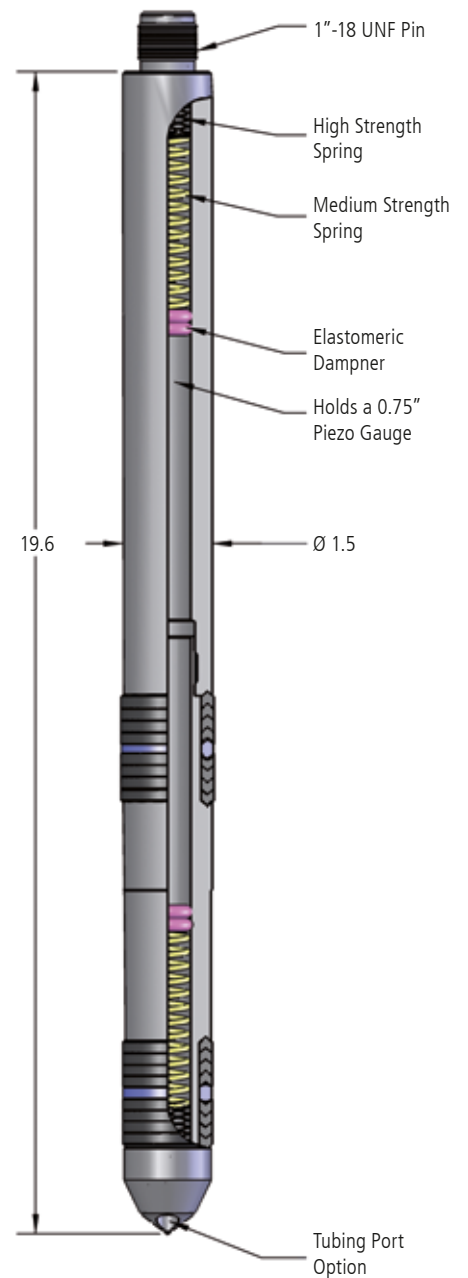


Memory Pressure Gauge 1.5" Side Pocket Piezo Carrier

Features

- Shock Mounts a 0.75" Gauge
 - High Strength Spring
 - Medium Strength Spring
 - Elastomeric Dampner
- Annulus or Tubing Sensing
- SS316 or Inconel 718



1.5" OD Side Pocket Piezo Carrier		
Port	Material	Part No.
Tubing	SS316	2710.01.00157
Anulus		2710.01.00163
Tubing	Inconel 718	2710.01.00784
Anulus	NACE MRO175	2710.01.00785

Accessory Type	Part No.
Pelican Case Assembly	2710.01.00786
Top Latch SS316	2710.01.00150
Top Latch Inconel 718	2710.01.00787