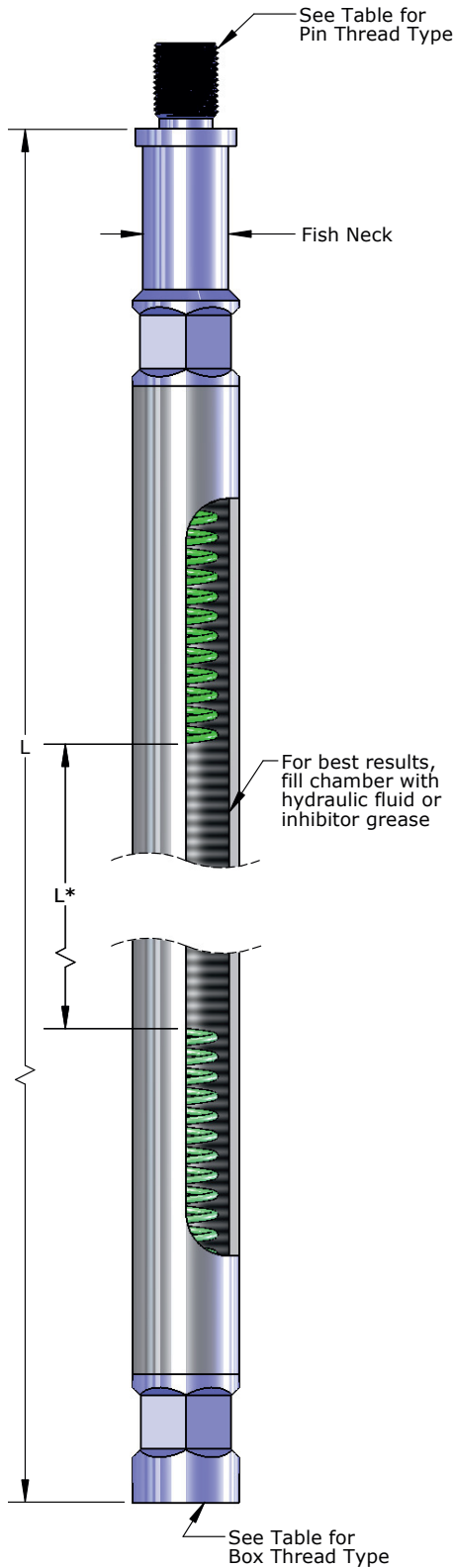


Accessories for Downhole Gauges: **Bomb Well Carriers**



Features

- ✦ 1.25" OD, 1.6875" OD or 1.75" OD Available
- ✦ Sweet or Sour Options
- ✦ Corrosion Resistant NACE MR0175
- ✦ Custom Pin or Box Connections Upon Request

1.25" OD Bomb Well Carrier					
Assembly Type	Holds	Thread Type	Length (L)	Max Gauge Length (L*)	Part No.
Sweet Version (4140, SS304)	(2x) 0.75" Piezo Gauges	Amerada	38"	25"	100465
	(2x) 0.75" Quartz Gauges	Amerada	55"	42"	104163
Sour Version (Inconel 718, Hastelloy C-276)	(2x) 0.75" Piezo Gauges	Amerada	38"	25"	100473
	(2x) 0.75" Quartz Gauges	Amerada	55"	42"	104165

1.6875" OD Bomb Well Carrier					
Assembly Type	Holds	Thread Type	Length (L)	Max Gauge Length (L*)	Part No.
Sweet Version (4140, SS304)	(2x) 1.25" Piezo Gauges	Amerada	3'	24"	101578
		5/8" SR	3'	24"	100469
	(2x) 1.25" Quartz Gauges	Amerada	5'	48"	104173
		5/8" SR	5'	48"	104174
	(2x) 1.25" DXB 2 Gauges	Amerada	6'	59"	104175
		5/8" SR	6'	59"	104176
Sour Version (Inconel 718, Hastelloy C-276)	(2x) 1.25" Piezo Gauges	Amerada	3'	24"	101583
		5/8" SR	3'	24"	100474
	(2x) 1.25" Quartz Gauges	Amerada	5'	48"	104177
		5/8" SR	5'	48"	104178
	(2x) 1.25" DXB 2 Gauges	Amerada	6'	59"	104179
		5/8" SR	6'	59"	104180

1.75" OD Bomb Well Carrier					
Assembly Type	Holds	Thread Type	Length (L)	Max Gauge Length (L*)	Part No.
Sweet Version (4140, SS304)	(2x) 1.375" Piezo Gauges	5/8" SR	4'	37"	105647

L\* - The maximum combined length of gauges that fit in each carrier (springs are compressed to half length).