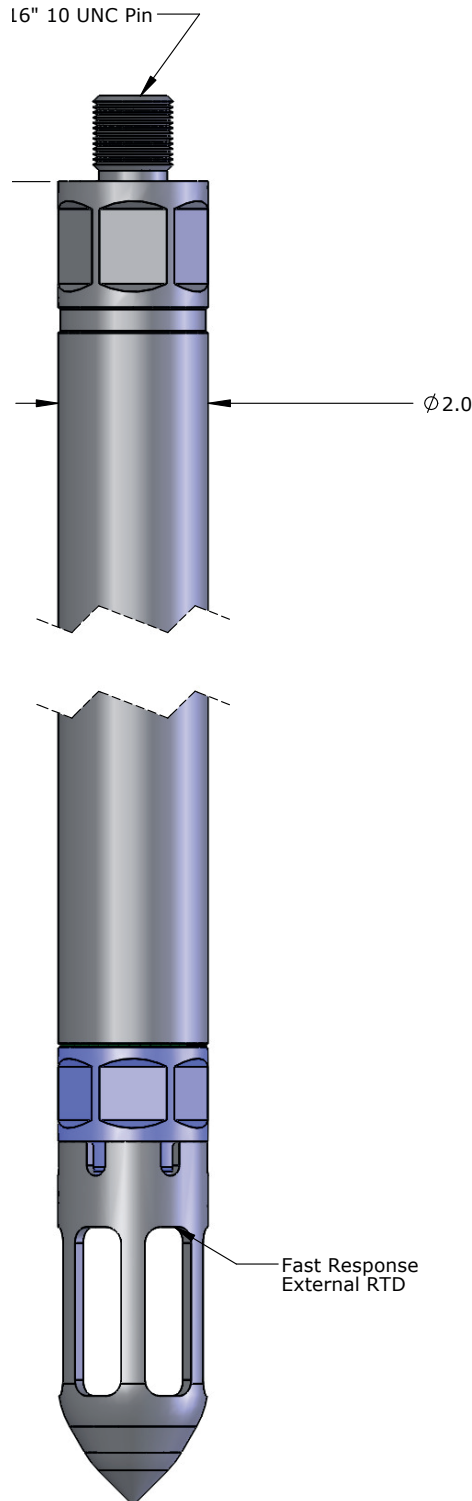
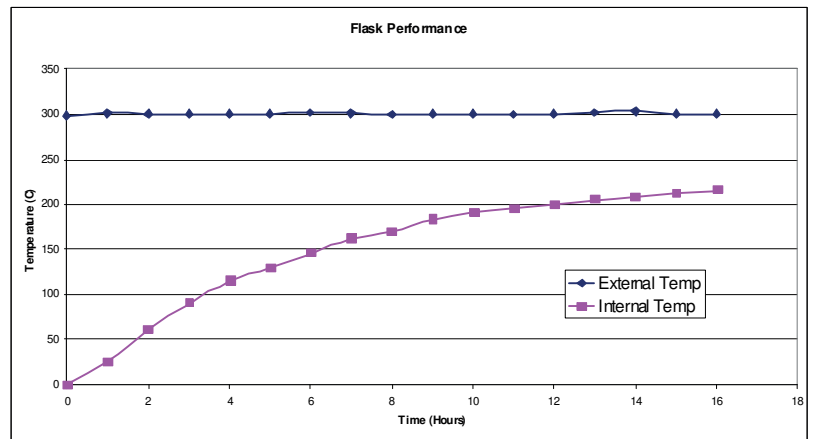


Memory Pressure Gauges: 2.0" High Pressure Geothermal



Features

- ✦ 8 hours @ 300°C (600 °F)
- ✦ External Fast Response Temperature Probe
- ✦ Casing Collar Locator Option
- ✦ 0.1s Fast Sample Rate Option
- ✦ Pressure Trigger Option
- ✦ 1 Million Sample Capacity
- ✦ Inconel 718 – NACE MR01 75



2.0" OD Geothermal Memory Tool - Inconel 718	
Pressure	Part No.
25,000 psi	103499
30,000 psi	103500

Accessory Type	Part No.
Bullnose SS316	103501
Crossover 15/16-10 UNC (5/8" Sucker Rod) SS316	103502
Casing Collar Locator	101675
Pelican Case Assembly	100526
Redress Kit Viton 90	101672
Redress Kit Aflas7182B	101673
Redress Kit Chemraz 510	101674

Specifications		
	Pressure	Temperature
Accuracy Up To	0.022% F.S.	0.25°C
Resolution	0.0003% F.S.	0.005°C
Drift	< 3 psi / year	< 0.1°C / year
Capacity	1 Million Samples	
Communication Method	USB	