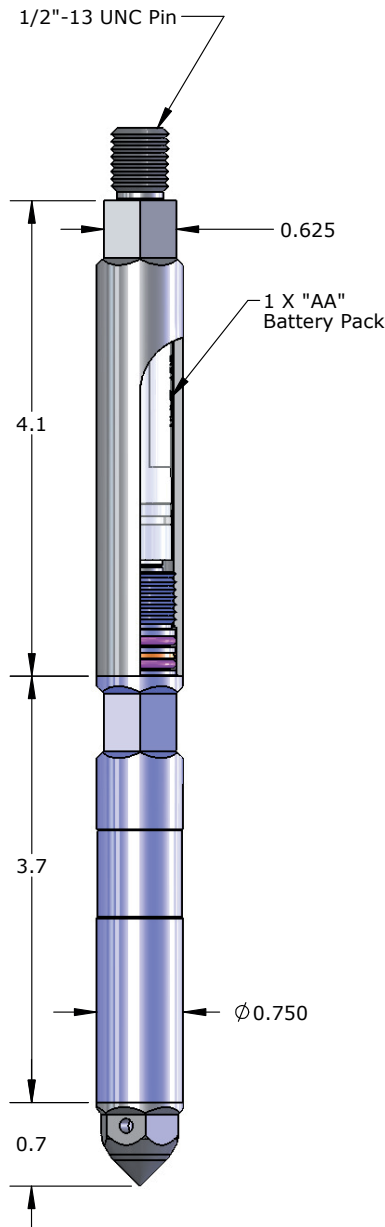


Accessories for Downhole Gauges: **0.75" Inclinometer / Vibration**

Features

- ✦ Reliability
- ✦ Simplicity
- ✦ Inclinometer
  - 3 Axis of Measurement
- ✦ Vibration
  - Single Program Rate
  - 2 Axis of Vibration Perpendicular to Well



0.75" OD Inclinometer Memory Tool - SS17-4	
Temperature	Part No.
150°C	104853

Inclinometer Specifications	
Accuracy	Within 10 Degrees of Vertical
Sample Interval	1 Second/Sample to 1 Hour/Sample
Communication Method	USB

0.75" OD Vibration Memory Tool - SS17-4		
Temperature	Acceleration	Part No.
150°C	±18 g	105676
	±37 g	104852

Vibration Specifications	
Acceleration Noise	< 0.2 g
Sample Rate	470 Samples/Second for 1 Second Every Hour
Communication Method	USB

Accessory Type	Part No.
Bullnose SS316	100703
Battery Barrel 1 X "AA" SS17-4	104856
Pelican Case Assembly	100756
USB To Serial Converter Assembly	100682
Redress Kit Viton 90	100445
Redress Kit Aflas 7182B	100446
Redress Kit Chemraz 510	100447