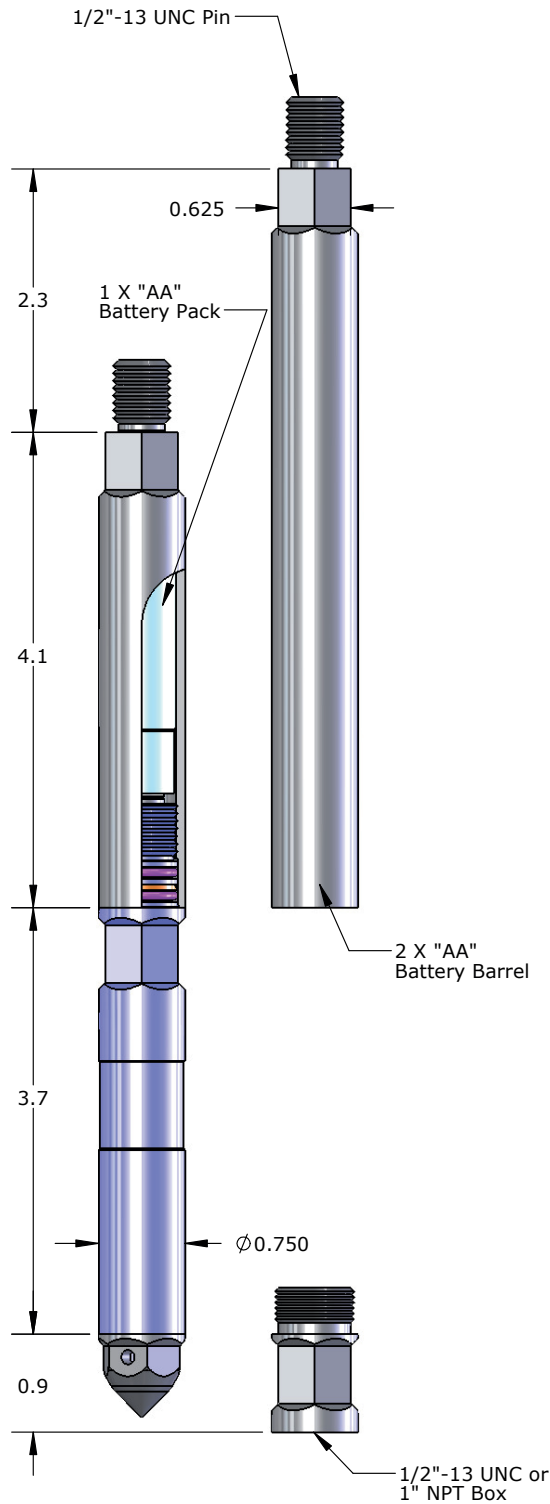


Memory Pressure Gauges: **0.75" Piezo**



Features

- ✦ Reliability
- ✦ Simplicity
- ✦ 0.1s Fast Sample Rate Option
- ✦ Pressure Trigger Option
- ✦ 1 Million Sample Capacity
- ✦ Inconel 718 – NACE MR0175

0.75" OD Piezo Memory Tool - Inconel 718		
Pressure	Temperature	Part No.
750 psi	100 °C	100684
1,500 psi	120 °C	100685
3,000 psi	150 °C	100686
6,000 psi		100687
10,000 psi	177 °C	100688
15,000 psi		100689
20,000 psi		100690

Accessory Type	Part No.
Bullnose SS316	100703
Crossover 0.5-13 UNC SS316	100704
Crossover 1.0 NPT SS316	101021
Battery Barrel 1 X "AA" Inconel 718	100702
Battery Barrel 2 x "AA" Inconel 718	100755
Pelican Case Assembly	100756
USB To Serial Converter Assembly	100682
Redress Kit Viton 90	100445
Redress Kit Aflas 7182B	100446
Redress Kit Chenraz 510	100447

Specifications		
	Pressure	Temperature
Accuracy Up To	0.022% F.S.	0.25 °C
Resolution	0.0003% F.S.	0.005 °C
Drift	< 3 psi / year	< 0.1 °C / year
Capacity	1 Million Samples	
Communication Method	USB	