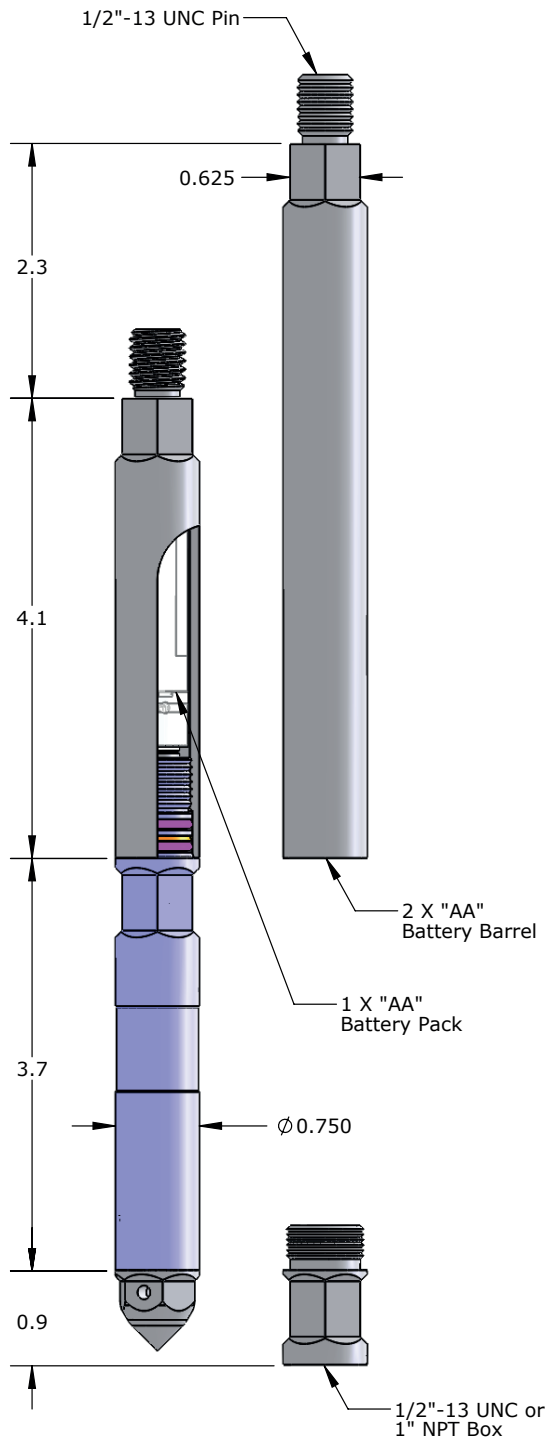


Memory Pressure Gauges: **0.75" Piezo with 10 Million Sample Capacity**



Features

- ✦ Reliability
- ✦ Simplicity
- ✦ 0.1s Fast Sample Rate Option
- ✦ Pressure Trigger Option
- ✦ 10 Million Sample Capacity
- ✦ Inconel 718 – NACE MR0175

0.75" OD Piezo Memory Tool - Inconel 718		
Pressure	Temperature	Part No.
750 psi	100°C	104325
1,500 psi	120°C	104326
3,000 psi	150°C	104327
6,000 psi		104328
10,000 psi	177°C	104329
15,000 psi		104330
20,000 psi		104331

Accessory Type	Part No.
Replaceable SRO Module 150°C	102190
SRO Housing Inconel 718	102191
Bullnose SS316	100703
Crossover 0.5-13 UNC SS316	100704
Crossover 1.0 NPT SS316	101021
Battery Barrel 1 X "AA" Inconel 718	100702
Battery Barrel 2 x "AA" Inconel 718	100755
Pelican Case Assembly	100756
USB To Serial Converter Assembly	100682
Redress Kit Viton 90	100445
Redress Kit Aflas 7182B	100446
Redress Kit Chemraz 510	100447

Specifications		
	Pressure	Temperature
Accuracy Up To	0.022% F.S.	0.25°C
Resolution	0.0003% F.S.	0.005°C
Drift	< 3 psi / year	< 0.1°C / year
Capacity	10 Million Samples	
Communication Method	USB	