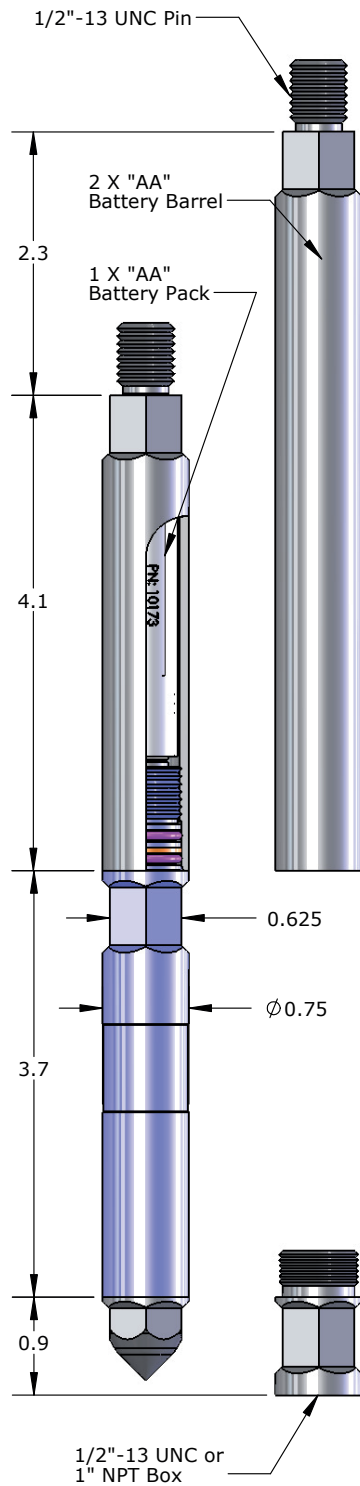


Memory Pressure Gauges: **0.75" Piezo Accelerometer**



Features

- ✦ Measures Acceleration
- ✦ 0.1s Fast Sample Rate
- ✦ Max Pressure Trigger
- ✦ Min and Delay Pressure Trigger
- ✦ Delta Pressure Trigger
- ✦ 1 Million Sample Capacity
- ✦ Inconel 718 – NACE MR0175

0.75" OD Piezo Accelerometer Memory Tool - Inconel 718			
Pressure	Temperature	Acceleration	Part No.
750 psi	100°C	Max 3g Min -3g	101711
1,500 psi	120°C		101712
3,000 psi	125°C		101713
6,000 psi			101714
10,000 psi			101715
15,000 psi			101716
20,000 psi			101717
25,000 psi			101718

Accessory Type	Part No.
Bullnose SS316	100703
Crossover 0.5-13 UNC SS316	100704
Crossover 1.0 NPT SS316	101021
Battery Barrel 1 X "AA" Inconel 718	100702
Battery Barrel 2 x "AA" Inconel 718	100755
Pelican Case Assembly	100756
USB To Serial Converter Assembly	100682
Redress Kit Viton 90	100445
Redress Kit Aflas 7182B	100446
Redress Kit Chemraz 510	100447

Specifications			
	Pressure	Temperature	Acceleration
Accuracy Up To	0.022% F.S.	0.25°C	0.5% F.S.
Resolution	0.0003% F.S.	0.005°C	0.0003% F.S.
Drift	< 3 psi / year	< 0.1°C / year	< 0.1 g / year
Capacity	1 Million Samples		
Communication Method	USB		