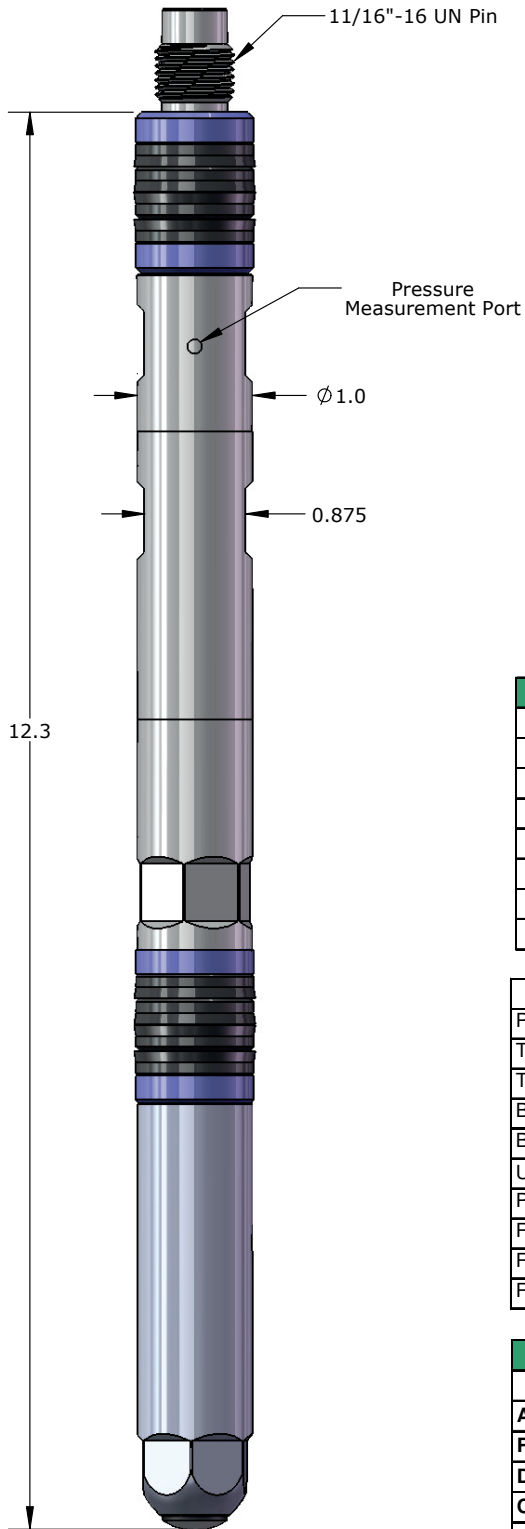


Memory Pressure Gauges: **1.0" Side Pocket Welded Piezo-Annulus**



Features

- ✦ Inconel 718
- ✦ 1 Million Sample Capacity
- ✦ High Temperature Reliability
- ✦ 0.1s Fast Sample Rate Option
- ✦ Pressure Trigger Option
- ✦ Welded Pressure Sensor

1.00" OD Side Pocket Piezo Memory Tool - Inconel 718		
Pressure	Temperature	Part No.
1,500 psi	120 °C	105012
3,000 psi	150 °C	105013
6,000 psi		105014
10,000 psi		105015
15,000 psi		105016
10,000 psi	177 °C	105017
15,000 psi		105018

Accessory Type	Part No.
Pelican Case Assembly	100783
Top Latch SS17-4	100149
Top Latch Inconel 718	100782
Bullnose SS 316	105020
Battery Barrel 1 x "AA" Inconel 718	105019
Upper Chrossover Inconel 718	105021
Packing Sweet/Sour	100046
Redress Kit Viton 90	104411
Redress Kit Atlas 7182B	104409
Redress Kit Chemraz 510	104410

Specifications		
	Pressure	Temperature
Accuracy Up To	0.022% F.S.	0.25 °C
Resolution	0.0003% F.S.	0.005 °C
Drift	< 3 psi / year	< 0.1 °C / year
Capacity	1 Million Samples	
Communication Method	USB	