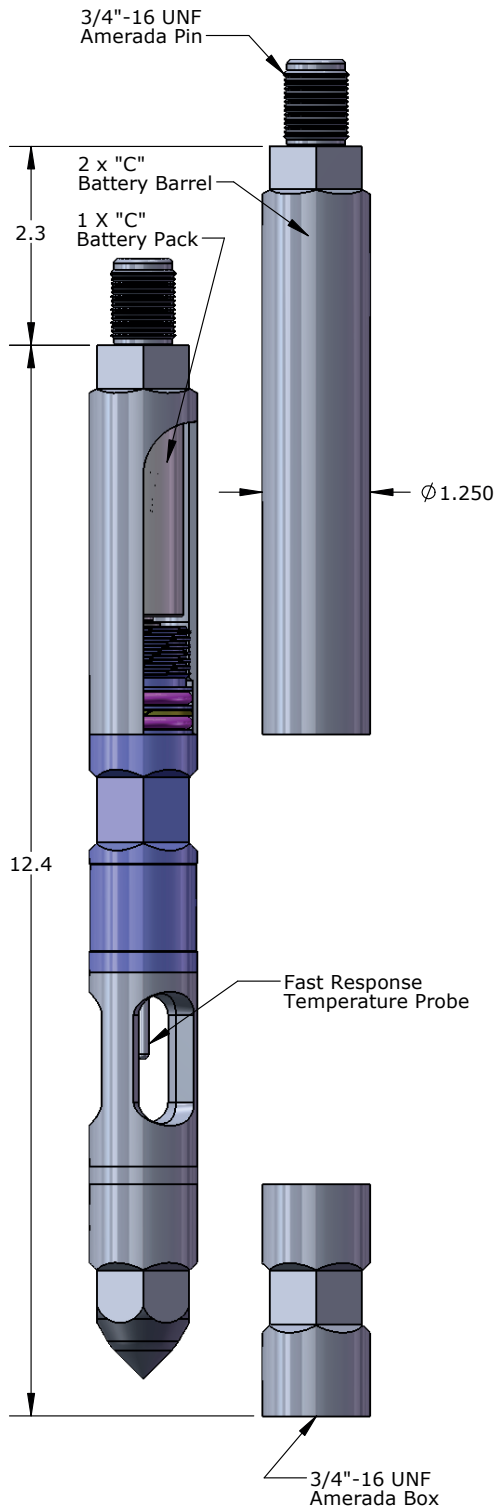


Memory Pressure Gauges: **1.25" Welded Piezo RTD**



Features

- ✦ Fast Response Temperature Probe
- ✦ Welded Pressure Sensor
- ✦ High Reliability – Shock Mounted Electronics
- ✦ Options:
  - 0.1s Fast Sample Rate Option
  - Pressure Trigger Option
- ✦ 650 000 Sample Capacity
- ✦ Inconel 718 – NACE MR0175

1.25" OD Welded Piezo RTD Memory Tool - Inconel 718		
Pressure	Temperature	Part No.
750 psi	100 °C	103129
1,500 psi	120 °C	104195
3,000 psi	150 °C	104196
6,000 psi		104197
10,000 psi	177 °C	104198
15,000 psi		104199
20,000 psi		104200

Accessory Type	Part No.
Bullnose SS17-4	101238
Crossover 0.75-16 UNF SS17-4	101239
Battery Barrel 1 x "C" Inconel 718	100485
Battery Barrel 2 x "C" Inconel 718	100486
Pelican Case Assembly	103467
USB To Serial Converter Assembly	100682
Redress Kit Viton 90	100911
Redress Kit Aflas 7182B	101002
Redress Kit Chemraz 510	101003

Specifications		
	Pressure	Temperature
Accuracy Up To	0.022% F.S.	0.25 °C
Resolution	0.0003% F.S.	0.005 °C
Drift	< 3 psi / year	< 0.1 °C / year
Capacity	650 000 Samples	
Communication Method	USB	