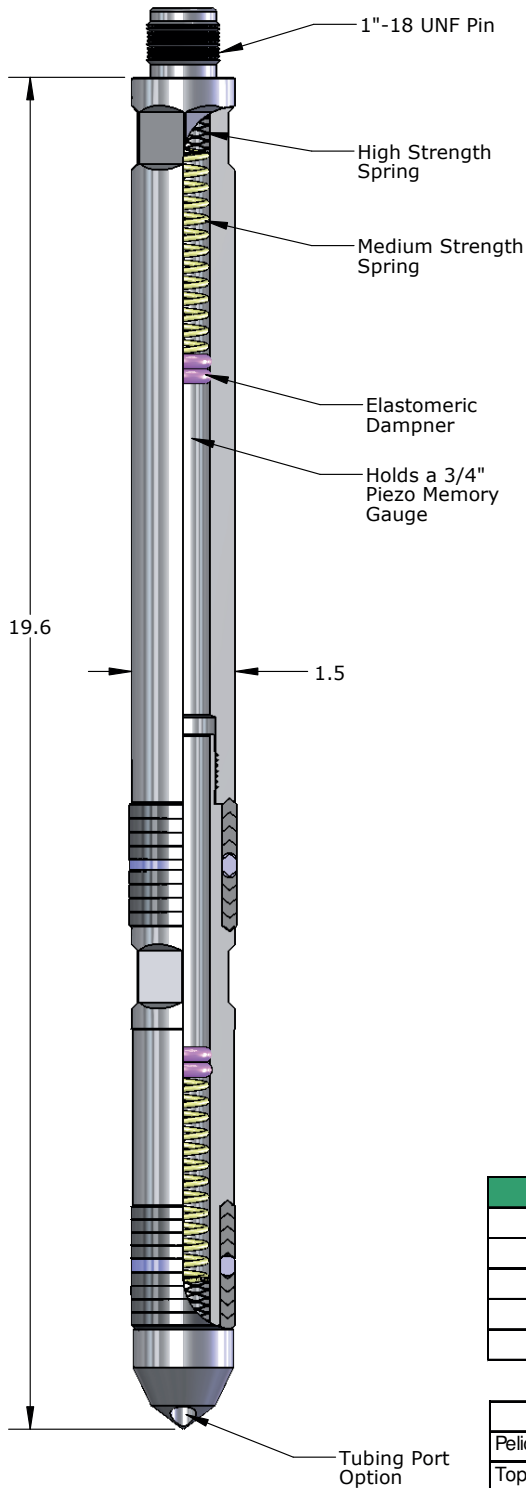


Memory Pressure Gauges: **1.5" Side Pocket Piezo Carrier**



Features

- ✦ Shock Mounts a 3/4" Gauge
 - High Strength Spring
 - Medium Strength Spring
 - Elastomeric Dampener
- ✦ Annulus or Tubing Sensing
- ✦ SS17-4 or Inconel 718

1.50" OD Side Pocket Piezo Carrier		
Port	Material	Part No.
Tubing	SS316	100157
Anulus		100163
Tubing	Inconel 718 NACE MRO175	100784
Anulus		100785

Accessory Type	Part No.
Pelican Case Assembly	100786
Top Latch SS316	100150
Top Latch Inconel 718	100787