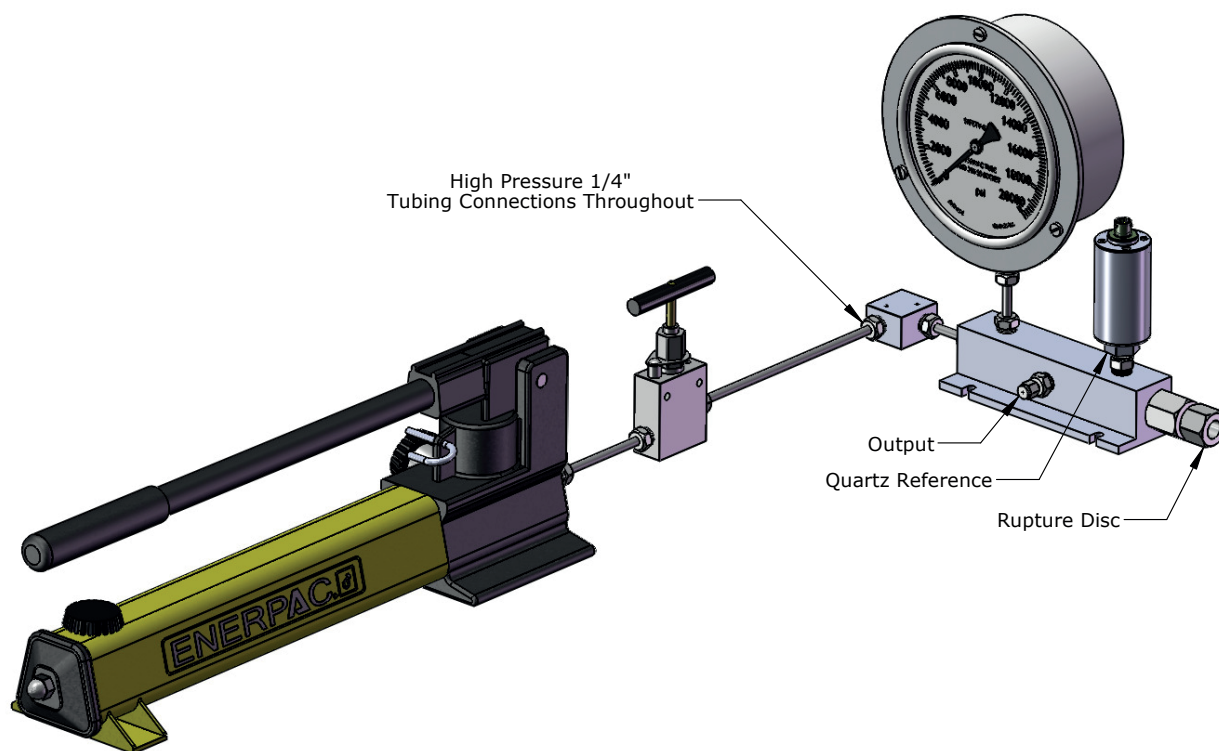


Accessories for Downhole Gauges: **Pressure Verification Assembly**



Pressure Verification Assembly		
Pressure	Temperature	Part No.
20,000 psi	85 °C	104296

Accessory Type	Part No.
1.375" Welded Piezo IV Calibration Sub	101242
0.75" Quartz DXB Calibration Sub	100957
1.25" Piezo Calibration Sub	100664
0.75" Piezo Calibration Sub	100818

Specifications		
	Pressure	Temperature
Reference Transducer with Converter to USB	20,000 PSI	85 °C
Dial Gauge	20,000 PSI	NA
Two-Stage Hand Pump	40,000/10,000 PSI	NA