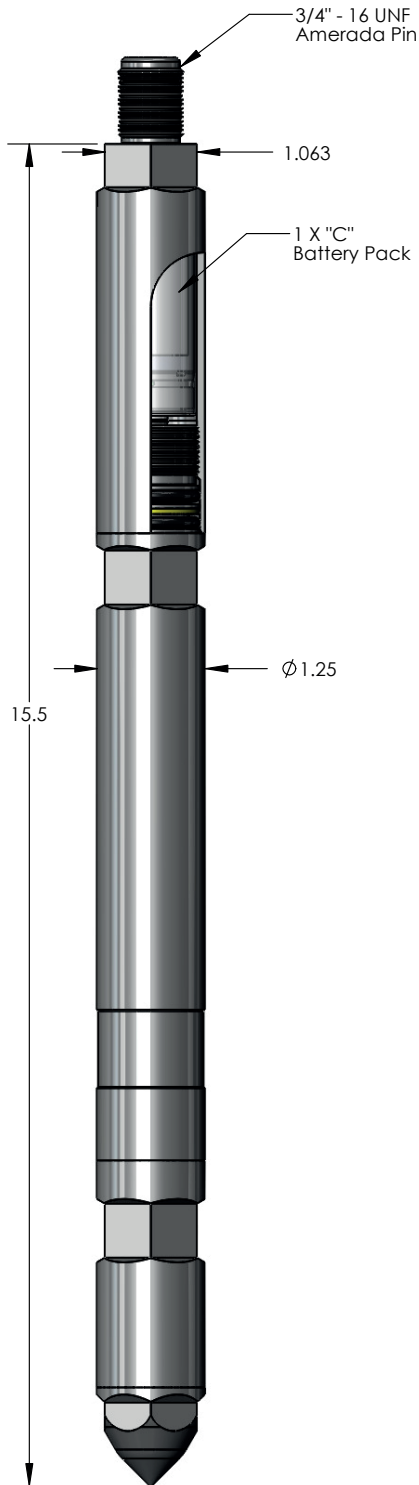







Memory Pressure Gauges: **1.25" Quartz VQ**



Features

-  Quartz Technology at the Lowest Price
-  High Quality Data
-  Low Operating Costs
-  Easy to Operate
-  Powerful Easy to Use Software

1.25" OD Quartz VQ Memory Tool - Inconel 718		
Pressure	Temperature	Part No.
5,000 psi	150 °C	103203
10,000 psi		103204
16,000 psi		103205

1.25" OD Quartz VQ Memory Tool - SS17-4		
Pressure	Temperature	Part No.
5,000 psi	150 °C	105109
10,000 psi		105110
16,000 psi		105111

Accessory Type	Part No.
Bullnose SS	103207
Battery Barrel 1 X "C" Inconel 718	100485
Battery Barrel 1 X "C" SS17-4	105119
Battery Barrel 1 X "CC" Inconel 718	100486
Battery Barrel 1 X "CC" SS17-4	105115
Pelican Case Assembly	105121
USB Download Cable	100682
Redress Kit Field	105116
Redress Kit Shop	105117

Specifications		
	Pressure	Temperature
<b>Accuracy</b>	0.020% F.S.	0.25 °C
<b>Resolution</b>	0.00006% F.S.	0.005 °C
<b>Drift</b>	< 3 psi / year	< 0.1 °C / year
<b>Capacity</b>	2 Million Samples	
<b>Communication Method</b>	USB	