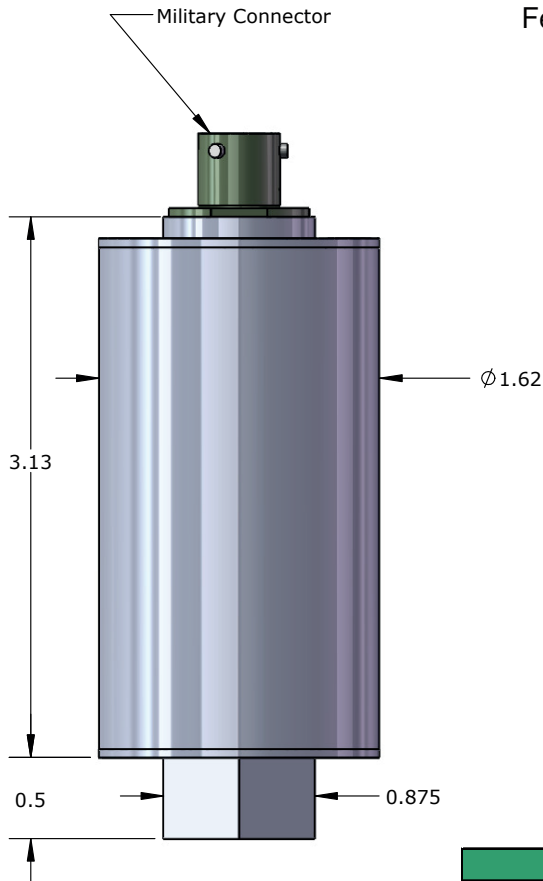


Surface Testing Suite: 1.25" Quartz Pressure Transmitter



Features

- ✦ Digital RS-485 ModBus
- ✦ Compatible with Digital Chart Recorder, Multi-Channel Logger & Permanent Surface Box
- ✦ High Resolution Measurements

1.25" OD Pressure Transmitter			
Pressure	Temperature	Connection	Part No.
5,000 psi	-40°C to 85°C	1/4" High Pressure	104349
10,000 psi			104350
20,000 psi			104351
30,000 psi			104352

Accessory Type	Part No.
Data Cable 25ft	101796
Data Cable 50ft	101797
Data Cable 100ft	101798
Adapter 1/2 NPT Pin x HM4	101438

Specifications		
	Pressure	Temperature
Accuracy Up To	0.020% F.S.	1.0°C
Resolution (scales directly with gateway)	<0.12 psi/sec	<0.005°C/sec
Drift	Negligible	Negligible
Communication Method	RS-485 ModBus	