



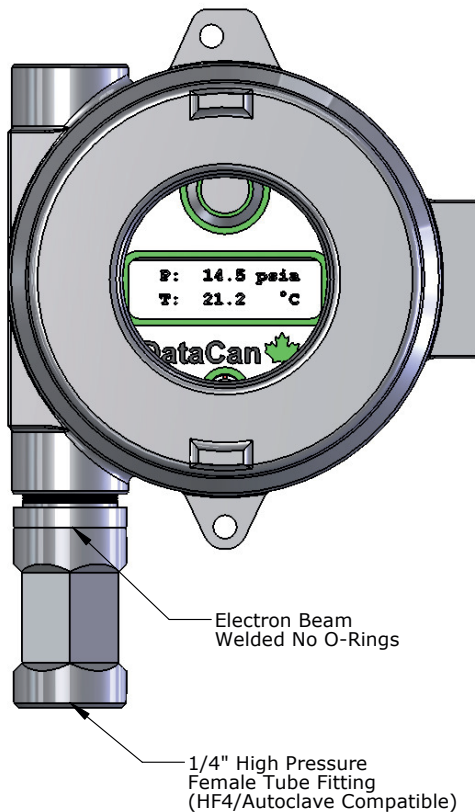


Surface Testing Suite: **Single Channel Wellhead Logger**

Features

-  Welded Sensor – No O-Rings
-  Extreme Service Reliability
-  1 Million Sample Capacity
-  Explosion Proof Enclosure



Wellhead Logger			
Pressure	Temperature Rating	Part No.	
		SS	Inconel
750 psi	Regular Version (-30°C-80°C)	104380*	104386*
1,500 psi		104381*	104387*
3,000 psi		104382*	104388*
5,000 psi		104383*	104389*
10,000 psi		104384*	104390*
15,000 psi		104385	104391
20,000 psi	Regular Version (0°C-80°C)	102745	102767
25,000 psi		102746	102768
30,000 psi		102747	102769
750 psi		Cold Version (-40°C - 50°C)	100825
1,500 psi	100838		100844
3,000 psi	100839		100845
6,000 psi	100840		100846
10,000 psi	100841		100847
15,000 psi	100842		100848
20,000 psi	102724		102727
25,000 psi	102725		102728
30,000 psi	102726		102729

* 1/4" NPT Male Connection

Accessory Type	Part No.
Pelican Case Assembly	100853
USB Communication Cable	100682
Radio 100m	102044
USB Radio Receiver	101790
Adapter 1/2" NPT	101438
Adapter 3/4" NPT	100849
Adapter Autoclave	100850

Specifications		
	Pressure	Temperature
Accuracy Up To	0.022% F.S.	0.25 °C
Resolution	0.0003% F.S.	0.005 °C
Drift	< 3 psi / year	< 0.1 °C / year
Capacity	1 Million Samples	
Communication Method	USB	