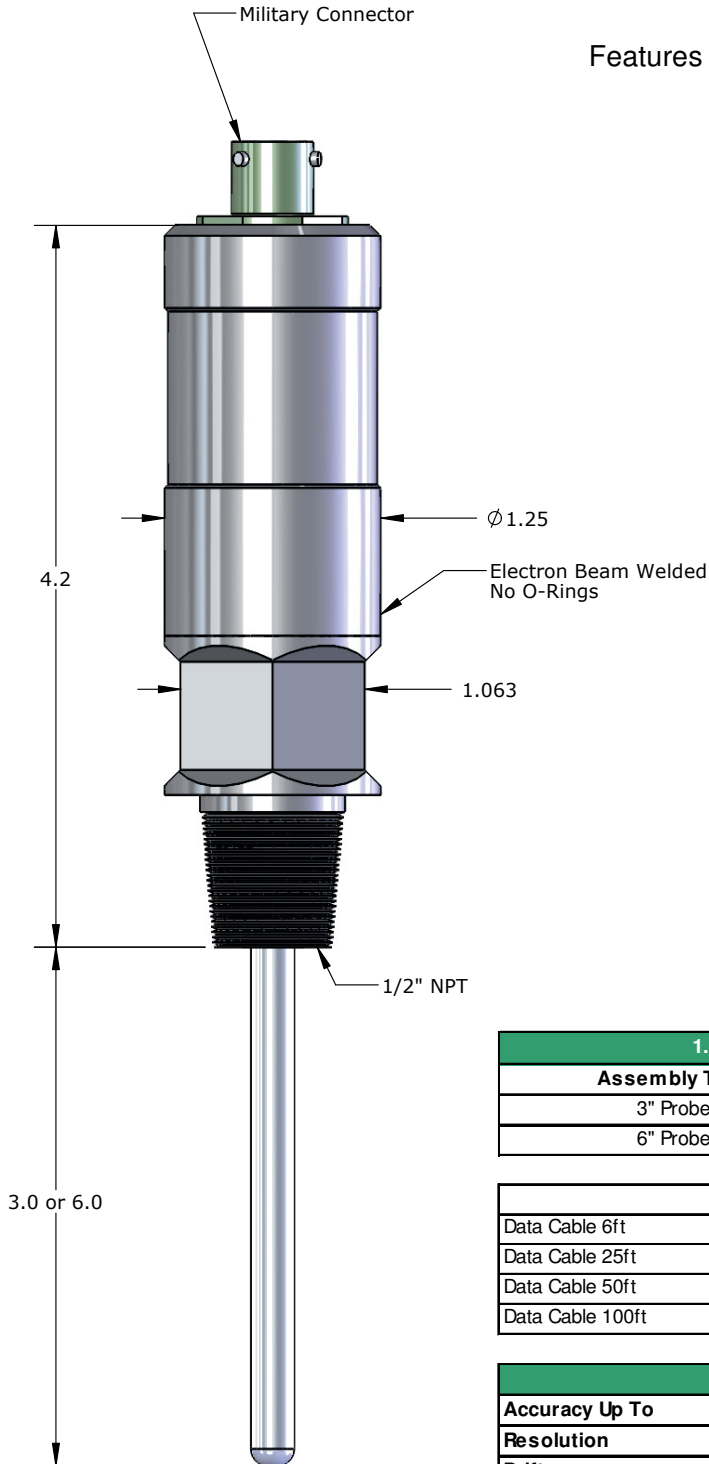


Surface Testing Suite: **1.25" Wireless Temperature Transmitter**



Features

- ✦ Easy to Use Software
- ✦ Digital Chart Records
- ✦ Multiple Sensor
- ✦ Custom Pin or Box Connections Upon Request

1.25" OD Temperature Transmitter - SS17-4		
Assembly Type	Temperature	Part No.
3" Probe	200 °C	101499
6" Probe		101500

Accessory Type	Part No.
Data Cable 6ft	101960
Data Cable 25ft	101796
Data Cable 50ft	101797
Data Cable 100ft	101798

Specifications	
Accuracy Up To	0.2 °C
Resolution	0.005 °C
Drift	<0.1 °C/year
Communication Method	RS485 Modbus