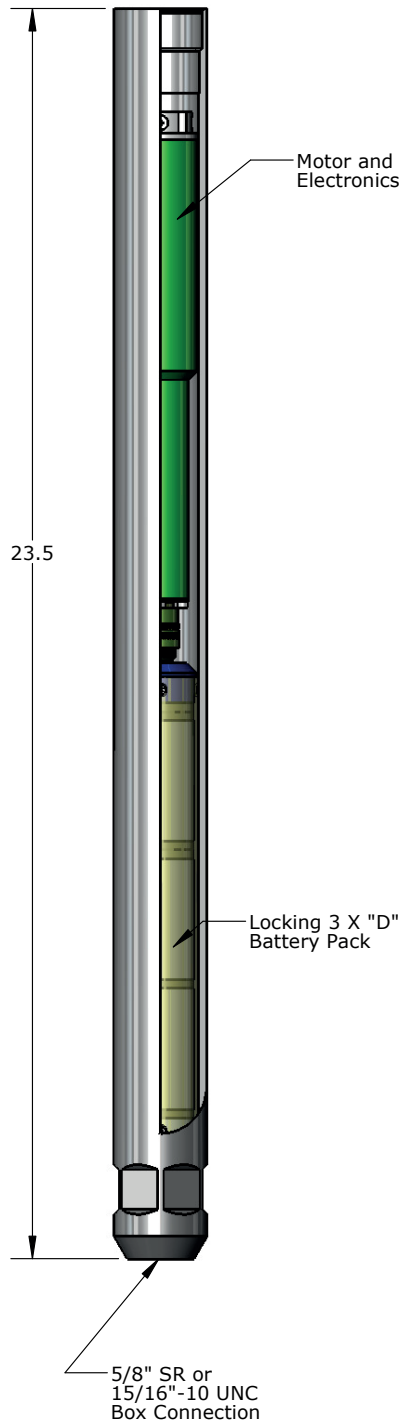






Quick Shut-In Tool: **Universal Drive**



Features

-  Drop Test Proven
-  Connects to All DataCan Valves
-  Multiple Cycle Capability
-  USB Communication

The new high temperature drive, which operates to 177°C is now available.

DataCan has also introduced a new high torque drive assembly, which delivers twice the amount of torque to the valve shaft. This assembly will become the default drive assembly for all down hole shut in tools.

| Quick Shut In Tool Universal Drive |                   |          |
|------------------------------------|-------------------|----------|
| Temperature Rating                 | Gear Ratio        | Part No. |
| 150°C                              | High Speed        | 100195   |
|                                    | High Torque - NEW | 103463   |
| 177°C NEW                          | High Speed        | 102856   |
|                                    | High Torque - NEW | 103464   |

| Accessory Type                     | Part No. |
|------------------------------------|----------|
| Battery Barrel 3 X "D" Inconel 718 | 103585   |
| Pelican Case Assembly              | 100193   |
| USB Communication Cable            | 101007   |
| 12V A/C/DC Power Supply            | 101487   |
| Manual                             | 101390   |
| Tool Kit                           | 104227   |

| Specifications               |                                  |
|------------------------------|----------------------------------|
| <b>Max External Pressure</b> | 16,000 psi (1,000 bar)           |
| <b>Max Drive Torque</b>      | 200 oz-in (1500mN-m)             |
| <b>Records</b>               | Time, Motor Current, Temperature |
| <b>Capacity</b>              | 1 Million Samples                |
| <b>Communication Method</b>  | USB                              |